

**SPDT MMIC Reflective Miniature Switch  
TTL Compatible Driver, 0.5 ~ 18.0 GHz**

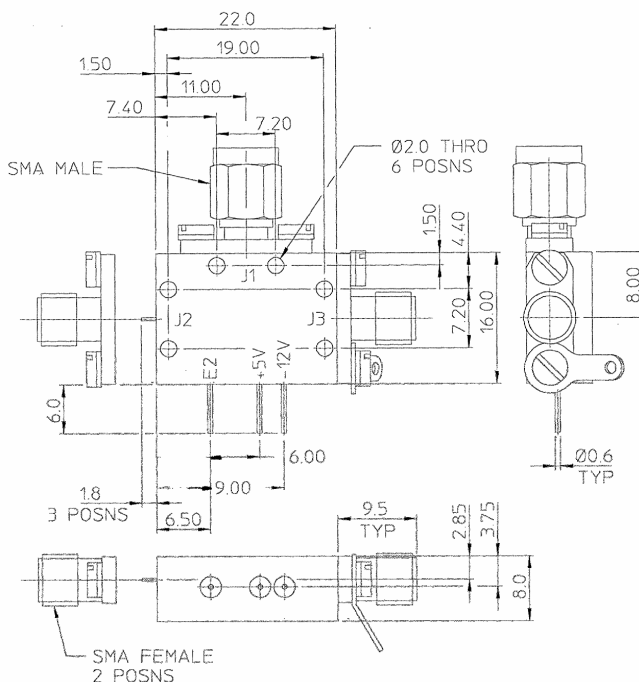
**MASWML0011  
V2**

**Features**

- Broad-Band Frequency Coverage
- Miniature Outline
- Field Removable Connectors
- Hermetically Sealed Housing
- TTL Compatible
- Fast Switching

**Description**

The MASWML0011 is a broadband (0.5 – 18GHz) SPDT reflective switch featuring Low Insertion loss and Fast switching. The built-in, high-speed, TTL compatible driver, allows control using a single logic line. The field replaceable connectors allow direct integration into microstrip applications. This proven harsh environment design is suitable for Airborne, Naval & Ground base applications.



Dimensions in 'mm'

**Mechanical**

Input: SMA Male, Field replaceable  
Outputs (2): SMA Female, Field replaceable

DC connections and TTL controls are supplied through solder pins.  
This device is hermetically sealed, with a matt black paint finish to Def. Stan. 80-161(5555A).

**Specification at +25 °C**

(Applies over the frequency range @ +25 °C, output and input load impedance of 50 ohms. Unless otherwise stated limits & conditions are indicated values.)

Type	Frequency (GHz)	I/Loss Max. (dB)	Isolation Min. (dB)	R/Loss Min. (dB)	S. Speed Max. (ns)	I/P Power Max. (dBm)	Logic	Power Supply		Operating Temp. °C	Storage Temp °C
								V	mA		
SPDT	0.5 ~ 2.0	1.8	50	11.7	15	+11	'0': J1-J2 Low loss, J1-J3 Isolation '1': J1-J2 Isolation, J1-J3 Low loss	+5	20	-55 ~ +85	-55 ~ +125
	2.0 ~ 8.0	2.5	40	9.54		(+7dBm at 85°C)		-12	60		
	8.0 ~ 18.0	3.2	32	9.54							